



PROJECT		REF		REV	ITEM CODE	
LOCATION		DATE			PAGE	

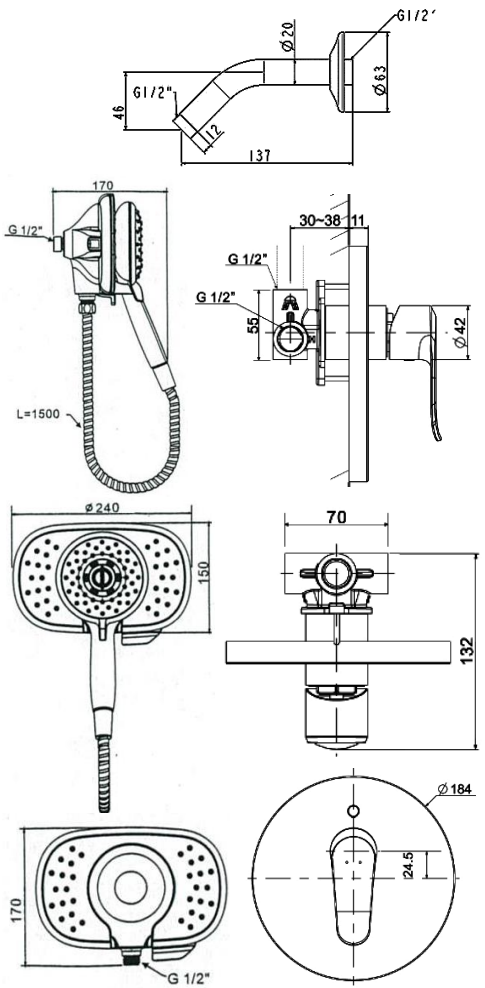
SANITARY WARE SPECIFICATION SHEET

Item Descriptions	American Standard (PRC) "SPECTRA Duo" chrome plated 4-function 2-in-1 shower head with 1.5M shower hose and four separate spray patterns-Drench, Sensitive, Powerwash®, and Massage; nominated flow rate 8.1 L/min in WELS Grade 1 ; Registration No. SB 18-0226; American Standard (PRC) "Neo Modern" chrome plated concealed shower mixer	<p>Illustration/ Drawing</p>
Model	FFASS055-000500BC0 (Shower head set) FFAS9916-000500BC0 (Shower Arm) CF-0722.709.50 (Mixer)	
Finish	Chrome plated	
Manufacturer	American Standard (PRC)	
Source	Acme Sanitary Ware Co. Ltd Mr. Eric Wong / Mr. Wilson Hung	
Contact Tel/Fax	(852) 2388-7171 / (852) 2710-8012	
E-mail	acme@acmesanitary.com.hk	
Website	www.acmesanitary.com.hk	

Dynamic flow pressure (kPa)	50	150	250	350	500
Flow rate (l / min)	4.40	7.70	8.20	8.35	8.83

Experience a combination of great innovation and design with the Spectra+ Duo™ 4-Function 2-in-1 shower head from American Standard. With its wide design, you'll have more water coverage – with the option to remove the center as a hand shower that makes cleaning the shower, bathing the kids, or washing the dog easier than ever before! The Spectra+ Duo brings customization to your shower with four separate spray patterns – Drench, Sensitive, Powerwash®, and Massage.

- Features**
- 2-in-1 design, with a wide shower head and hand shower combination
 - AquaToggle™ easily changes sprays for Handshower
 - Dock-Tite™ securely docks the shower head magnetically
 - DivertPaddle™ allows for an easy switch between spray heads
 - 4-Function shower head with different spray patterns to fit a variety of needs
 - Drench provides a soaking spray with full body coverage
 - Sensitive is a fine spray that is soft and gentle on the skin
 - PowerWash® provides a powerful, wide spray that helps make cleaning the shower easy
 - Massage brings a pulsating spray to help you unwind and relax



<https://www.youtube.com/watch?v=Up6Djb-XNj8>
<https://www.youtube.com/watch?v=Vzp7Ld0znHw>

* All information of the above is for reference only. No prior notice is made if any changes.



Power Wash

Massage

Sensitive

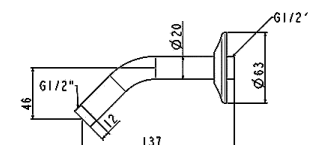
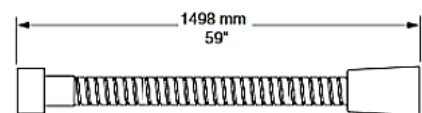
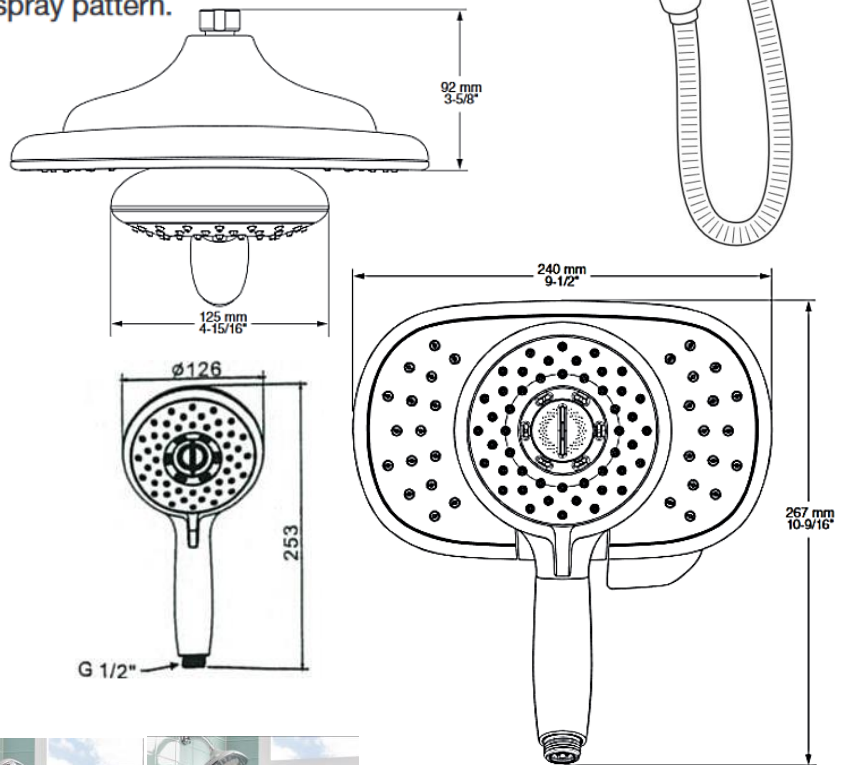
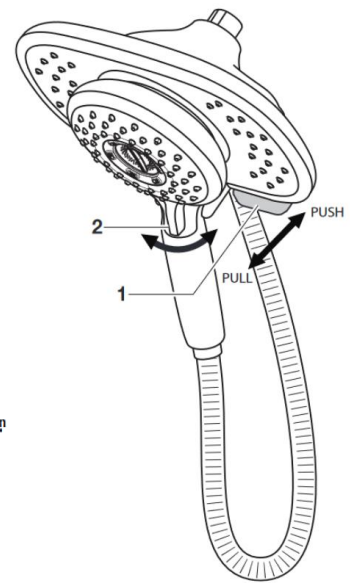
Drench



- Drench provides a soaking spray with full body coverage
- Sensitive is a fine spray that is soft and gentle on the skin
- PowerWash® provides a powerful, wide spray that helps make cleaning the shower easy
- Massage brings a pulsating spray to help you unwind and relax
- Turn water supplies on and check for leaks.

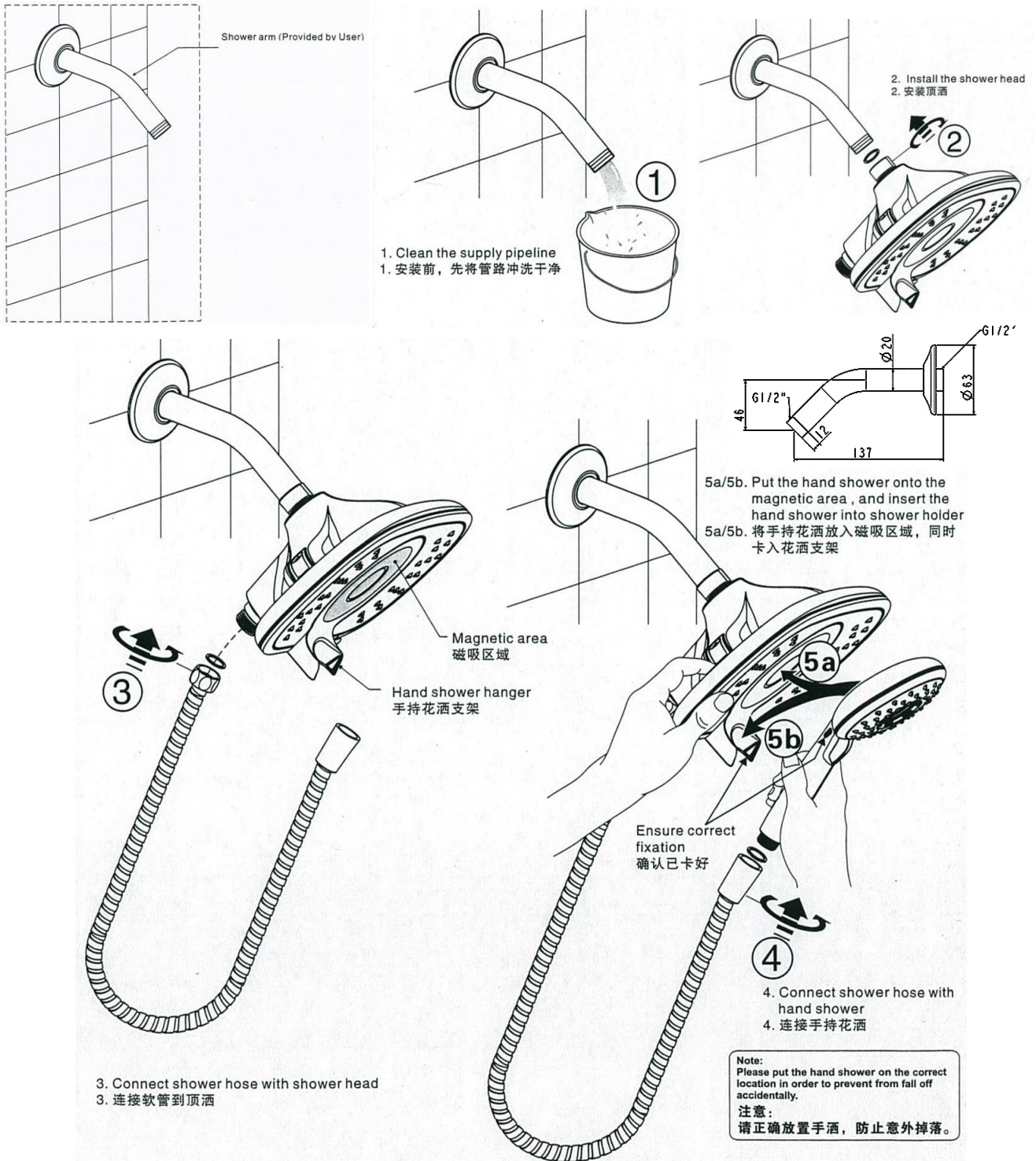
• For hand held shower and shower head **PULL DIVERTER (1)** forward and for hand shower only **PUSH** diverter back.

• Slide **KNOB (2)** to switch between spray pattern.



1. Before the installation, please confirm that the shower arm has been installed correctly (Their installation please refer to the installation themselves).
2. The shower arm, advise to purchase American Standard brand, reference model number: FFAS9916-000500BC0 or FFAS9916-000500BF0, etc.

1. 安装花洒前，确认花洒壁管已安装好（如下图）。（其具体安装请参考相应的说明书）
2. 花洒壁管，建议购买美标牌，参考型号：FFAS9916-000500BC0或FFAS9916-000500BF0等。



註冊號碼 (Registration No.): SB 18-0226




自願參與用水效益標籤計劃 - 沐浴花灑
Voluntary Water Efficiency Labelling Scheme - Showers for Bathing



茲證明
This is to certify that

將下列花灑在本計劃內註冊：
has registered the following shower under this scheme :

牌子 / Brand	:	American Standard
型號 / Model	:	FFASS055-000500BC0
原產地 / Country or Region Origin	:	China

在用水效益標籤上展示的標誌 <i>Symbolic Presentation on the Water Efficiency Label</i>	:	 滴水點 <i>Water droplet(s)</i>
用水效益級別 <i>Water Efficiency Grade</i>	:	1
耗水量 <i>Water Consumption</i>	:	8.1 公升/分鐘 <i>litres/minute</i>

簽發日期:
Date of Issue: 7 November 2018

 水務署
Water Supplies Department



水務署署長(黃恩諾代行)
for Director of Water Supplies



水務署
Water Supplies Department

總部 Headquarters

告士打道七號入境事務大樓 48 樓

ation Tower, 7 Gloucester Road, Wan Chai, Hong Kong



本署批
Our rej.
來函檔號
Your rej.

21/2024 T/J(169/2024)

電話
Tel.
傳真
Fax.

: 2824 0578

6 March 2024



**Approval of “AMERICAN STANDARD” Shower Mixer
(General Acceptance No. C20240162)**

Your E-Application [file-id: ETJ-GA-20240208-14] dated 15 February 2024 refers.

Having considered the test report ref. 222320PC220210 issued on 26 October 2022 by Fugro Technical Services Limited, this Authority accepts that the fitting described below complies with, and its use when correctly installed does not contravene, the Waterworks Ordinance and Regulations.

Name of Manufacturer: Jiangmen LIXIL AS Sanitary Fitting Manufacturing Co Ltd

Country of Origin: the Mainland of China

Brand: American Standard

Details of Fitting: 1/2" Single lever shower mixer

Model: CF-0722.709.50

Body Markings: *American Standard*

Expiry Date: 26 September 2027



This Authority hereby permits the use of the above fitting in fresh water plumbing systems subject to full adherence to Waterworks installation requirements. In particular, you are required to draw your customers' attention to the following requirement-

"The cold water supply to the fitting shall be drawn from the same source that supplies the hot water apparatus so as to provide a balanced pressure and to obviate the risk of scalding in the event of a restriction or failure in the water supply." AND

"The shower head or handspray should not be placed in submerged conditions and should be securely fixed to the original position after use."

A condition of this acceptance is that the fitting to be installed shall be replicas of the sample as certified by the testing agent mentioned above and without modifications. This acceptance may be withdrawn at any time if the standard of the fitting installed fails to meet that of the approved sample or if the fitting is found to be unsuitable for use in fresh water plumbing systems.

This acceptance is only applicable to the main body of the fitting, unless otherwise specified.

For the use of the fitting in any project, the General Acceptance Number of this letter must be quoted as a means of identification of acceptance of the fitting by this Authority.

Should you have any enquiries, please contact our Engineer Mr Albert CHOW at tel. no. 3583 4086.

Yours faithfully,



(Terry KUNG)

for Director of Water Supplies

Encl.

c.c. WSD 3321/1/82] - without catalogue
ME/MC] - with soft copy only